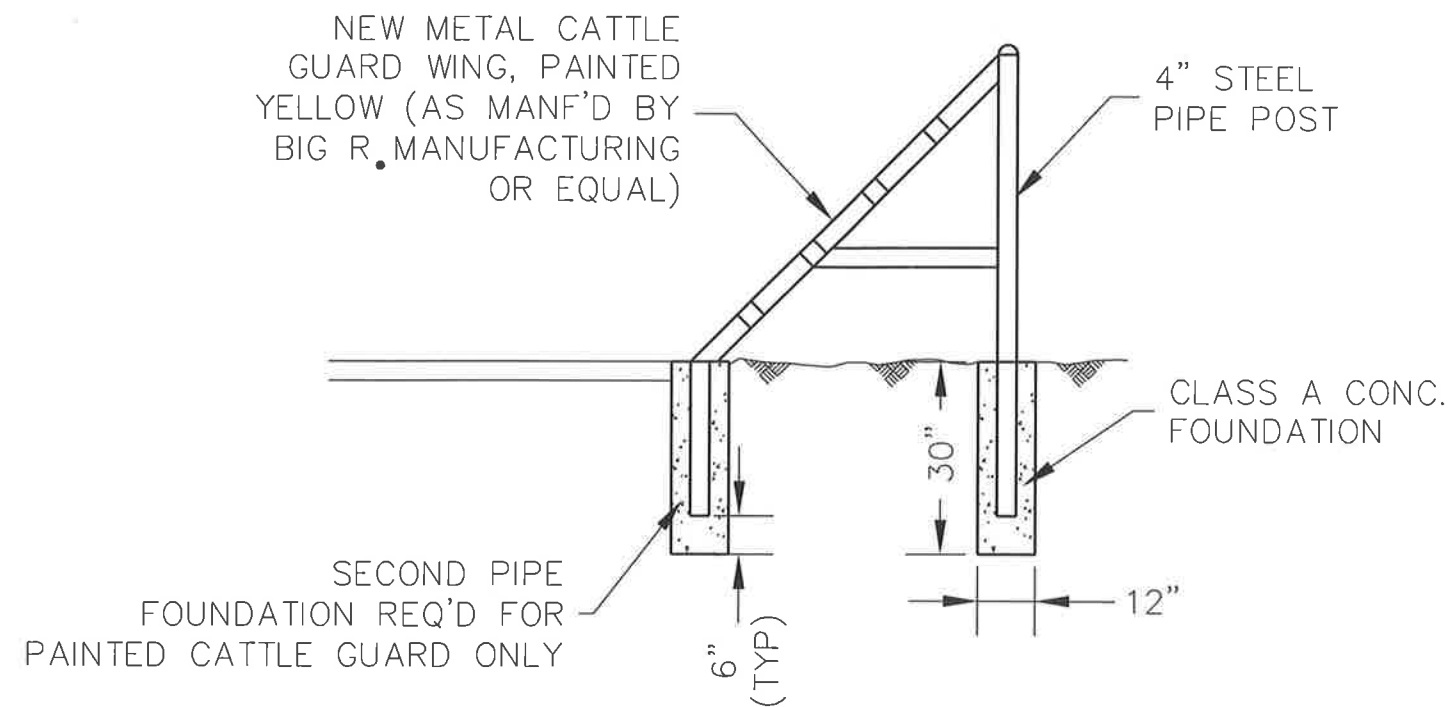


CATTLE GUARD



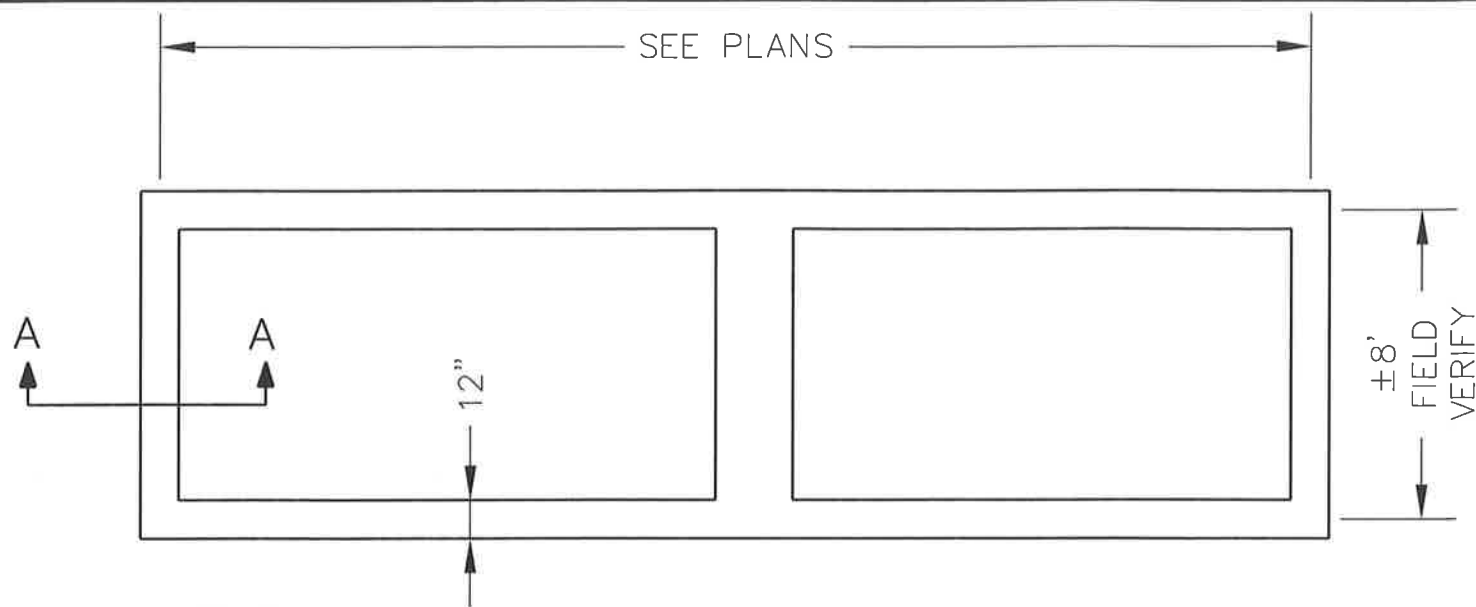
CATTLE GUARD WING

Revisions
Date

County of Mono - Department of Public Works

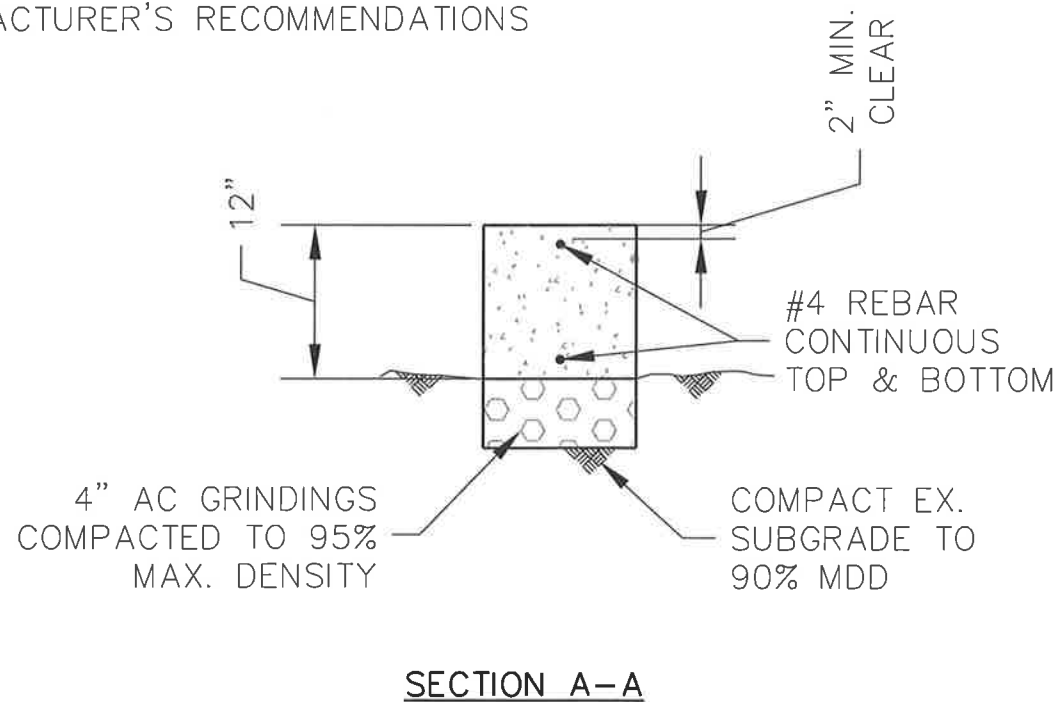
CATTLE GUARD DETAIL

Drawn By:
Checked By:
Approved By:
Date 10-22-10:
Scale:
Sheet 1 of 2

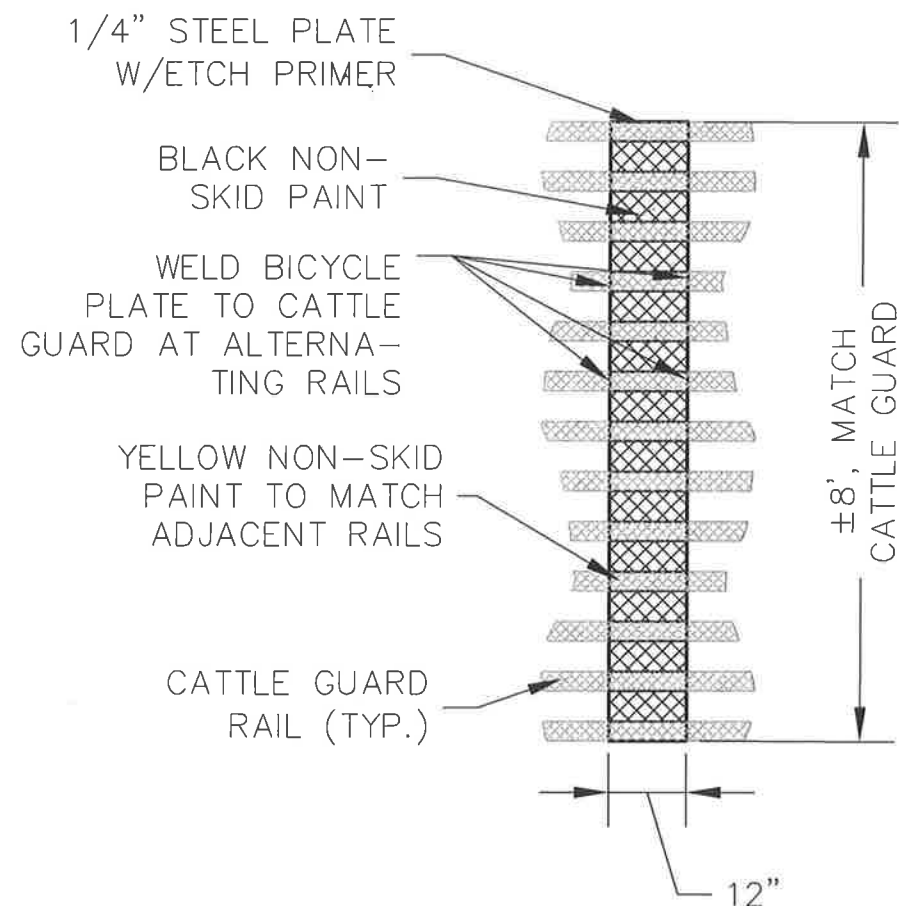


NOTES:

1. CONTRACTOR TO VERIFY CATTLE GUARD DIMENSIONS PRIOR TO FORMING CONCRETE FOUNDATION TO CONFIRM ACTUAL DIMENSIONS REQUIRED TO CENTER BASE ON FOUNDATION.
2. CONCRETE WILL BE CLASS "A". CONCRETE WILL CONTAIN 4% TO 5% ENTRAINED AIR. CONCRETE WILL BE SEALED WITH SILICONE-BASED SEALER, "SYNAK" OR APPROVED EQUAL IN ACCORDANCE WITH MANUFACTURER'S RECOMMENDATIONS



CATTLE GUARD FOUNDATION



NOTES:

1. NON-SKID PAINT TO BE ONE-PART MOISTURE-CURED POLY URETHANE W/RUBBER GRANULAR GRIT, "DURABAK" OR EQUAL (2 COAT MIN.). STRIPE WIDTH/CONFIGURATION TO MATCH UNDERLYING CATTLE GUARD.
2. CONTRACTOR TO STRIP EX. PAINT/PRIMER FROM CATTLE GUARD RAILS AT WELD LOCATIONS. REPAINT WELD AND RAILS TO MATCH.

BICYCLE PLATE DETAIL

| | | | | | |
|-----------|--|--|--|--|--|
| Revisions | | | | | |
| Date | | | | | |

County of Mono - Department of Public Works

PROJECT DESCRIPTION

| | |
|--------------|----------|
| Drawn By: | |
| Checked By: | |
| Approved By: | |
| Date: | 10/22/10 |
| Scale: | |
| Sheet: | 2 of 2 |